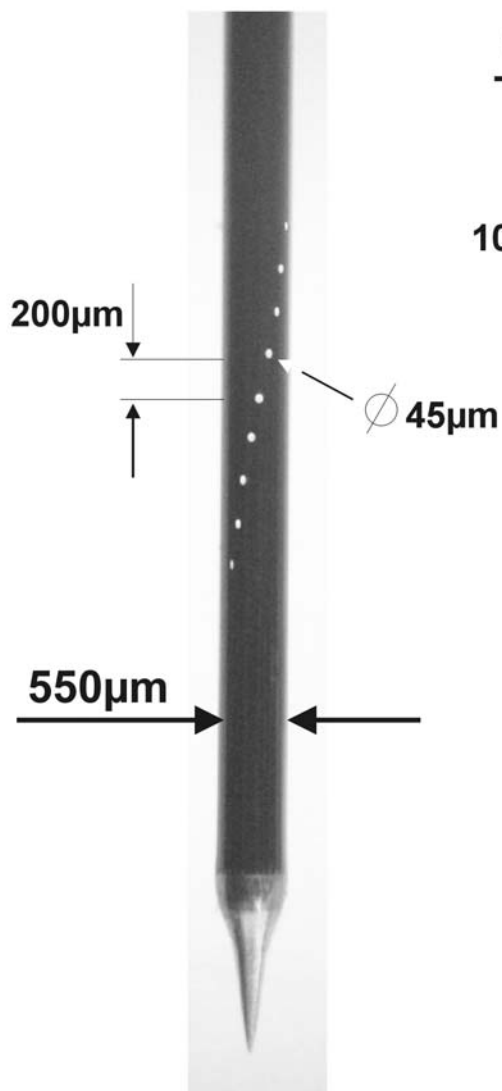




32-Channel Probes

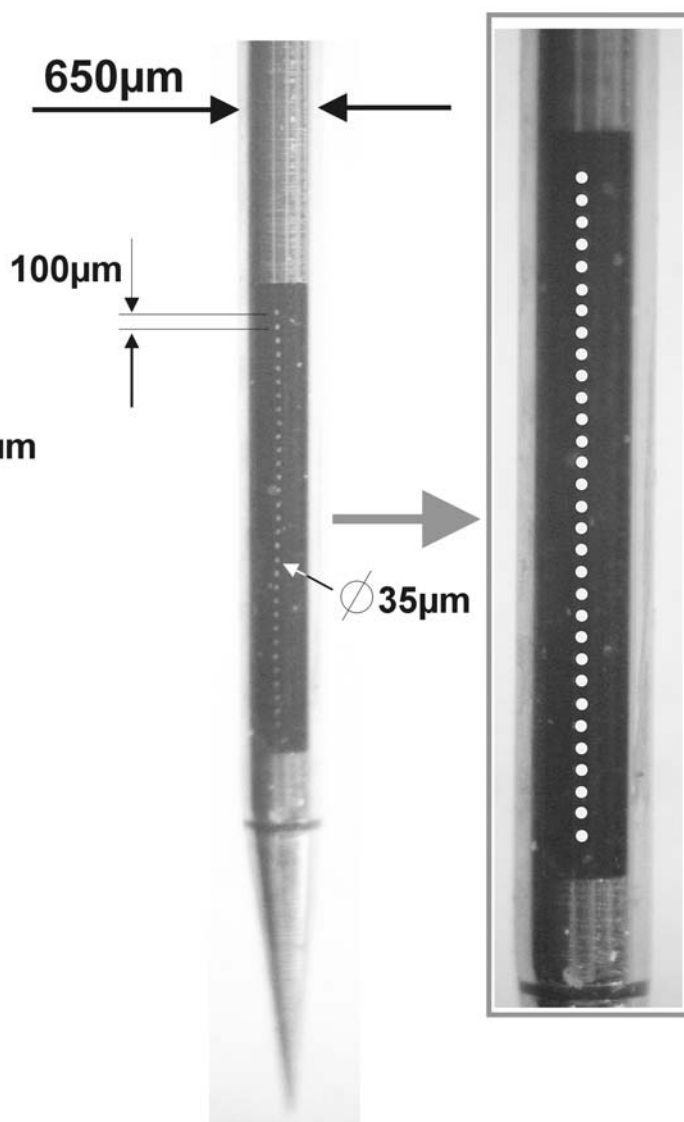
Product Information

Helical



Electrode array length=6mm

Linear



Electrode array length=3mm

Thomas RECORDING GmbH – Giessen – GERMANY

Email: info@ThomasRecording.com

Web: www.ThomasRecording.com

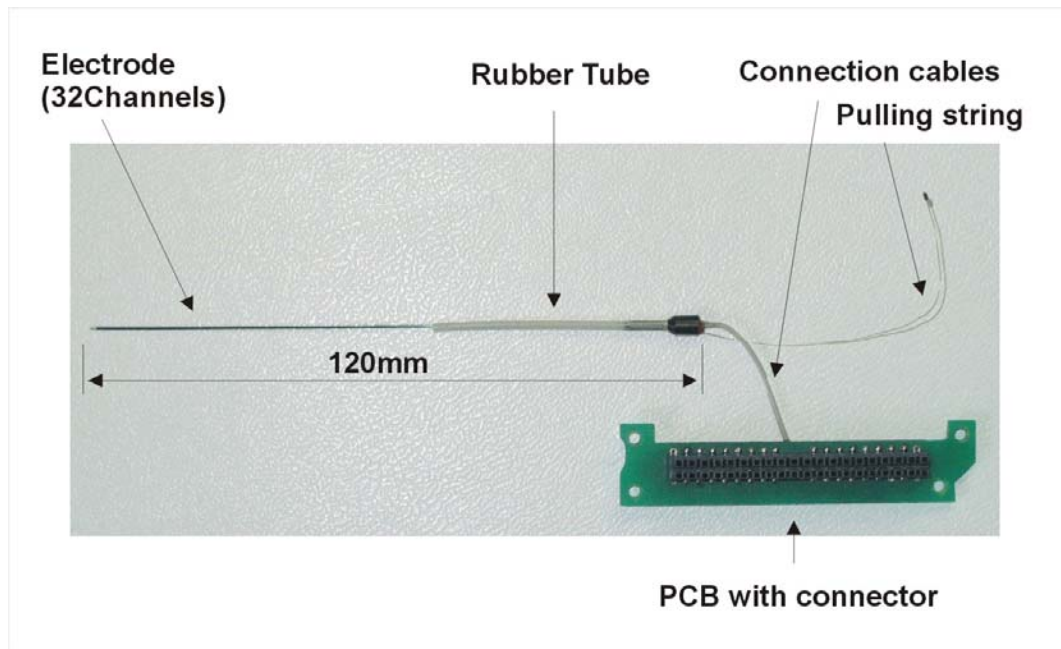


Figure 2: Helical electrode (standard length for animal physiology) prepared for integration in an electrode carrier unit for mounting the electrode to our special designed microdrive system with patented rubber tube drive and integrated 32 channel low noise preamplifier system



Figure 3: Helical electrode integrated in an electrode carrier unit ready for use with our microdrive system. The electrode is adapted for deep brain recording in human subjects (guide tube length app. 225mm). The standard electrode length is app. 120mm-140mm.

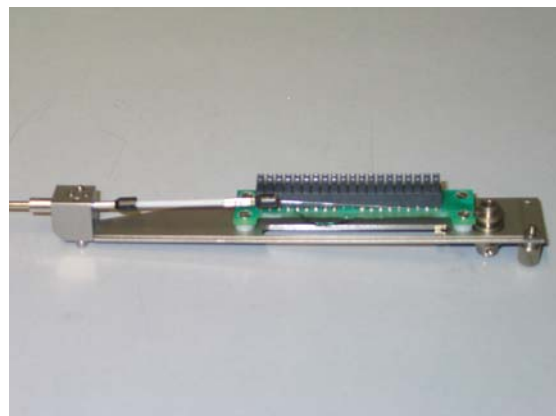


Figure 4: Helical electrode integrated in the electrode carrier unit. This carrier unit makes it very easy to load the electrode to the drive. It is possible to steam sterilize the electrode carrier unit with integrated electrode at 120°C.

Thomas RECORDING GmbH – Giessen – GERMANY

Email: info@ThomasRecording.com

Web: www.ThomasRecording.com



Figure 5: Electrode carrier unit mounted to our 32channel microdrive system. In this case the drive is adapted for deep brain recordings in human subjects. For standard animal applications the guide tube will be much shorter.

Thomas RECORDING GmbH – Giessen – GERMANY

Email: info@ThomasRecording.com

Web: www.ThomasRecording.com