

## LAMBDA LS

### STAND-ALONE XENON ARC LAMP AND POWER SUPPLY



*(Shown with optional light guide and lens tube)*

The **Lambda LS** is a stand-alone lighting system consisting of a xenon-arc lamp, lamp housing, cold mirror and power supply in a single enclosure. The **Lambda LS** is designed to be used with a liquid light guide which transmits remarkably flat, intense, illumination to the optical train of the user's microscope or other instrumentation. The lamp's cabinet accommodates a standard Sutter Instrument filter wheel that slides easily in and out of a slot in the light path. If desired, a second filterwheel can be mounted on the outside of the cabinet. When used with appropriate adapters, the light guide output is compatible with most common microscope systems.

Unlike the arc lamps used with most fluorescence microscopes, the xenon bulb is pre-aligned using a parabolic mirror and does not require alignment, focusing or collimation. In the standard configuration, the **Lambda LS** bulb is capable of producing light output from 340nm to a cutoff of 700nm determined by the cold mirror. An optional enhanced UV bulb produces output much lower into the UV (cut off near 200nm). As with any UV generating light source, the optional bulb generates significant quantities of ozone and must be used in an adequately ventilated environment.

The **Lambda LS** utilizes a compact design, which places power supply, lamp house, arc lamp and cold mirror in a single enclosure. This system eliminates a common failure associated with standard arc lamp designs: when using a remote power supply aging may lead to a decreased ability to light the lamp

due to loss of the insulating characteristics of the lengthy high-tension line. As with all our equipment, the power supply has been designed to minimize electrical noise that can be picked up by physiological recording equipment.

## SPECIFICATIONS > LAMBDA LS

### Output Range

Standard bulb 340nm to IR  
(optional full-spectrum bulb)  
200nm to IR

### Lamp Type

175 or 300 Watt xenon  
(pre-aligned to produce  
collimated output)

### Radiant Output

25 Watts (175W lamp)  
(broadband, full beam)

### Lamp Life

1000 hours (Bulb carries a  
warranty for 500 hours. Longer  
life depends on application.  
Expected life is 1000 hours)

### Power Consumption

175 Watts

### Dimensions

10.5in x 9.5in x 10in  
26.7cm x 24.1cm x 25.4cm

### Weight

10.5lbs  
4.8kg

### Electrical

115/230 Volts  
50/60 Hertz power line



## FEATURES > LAMBDA LS

Xenon lamps provide light levels which exceed those of standard microscope fluorescence lamps

Equipped with a cold mirror to eliminate IR heating of downstream optical components

Compact stand-alone lamp housing-power supply enclosure

Pre-aligned bulb eliminates common focusing problems

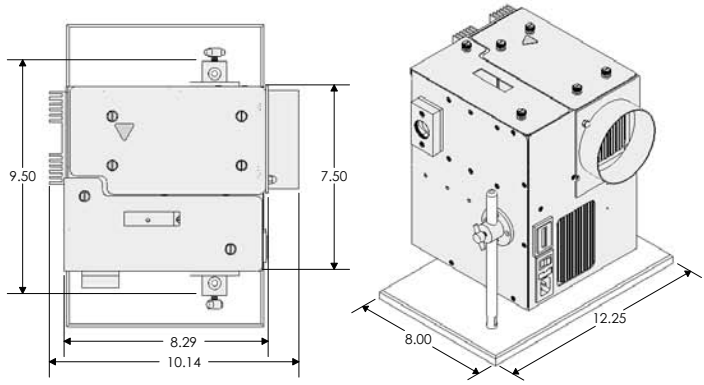
Integrated hour meter for convenient monitoring of lamp life

Modular construction allows use of optional liquid light guide for flexible direction of light output

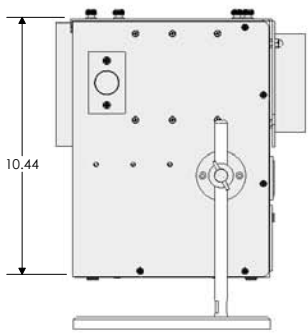
Easily accommodates Sutter Instrument filter wheels or **SmartShutter** within the body of the lamp. Can be coupled via a liquid light guide to many standard microscopes (Nikon, Zeiss, Leica and Olympus). Microscope coupling requires special adapters (not included). Please see the Microscope Adapter section in this catalog

MECHANICAL DRAWINGS LAMBDA LS

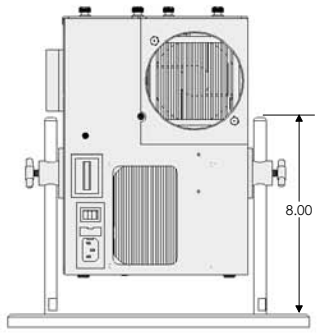
TOP



\*ALL MEASUREMENTS ARE IN INCHES



SIDE



FRONT

*(There is additional depth when second filterwheel is attached)*